

Z90 mm

CRANK AND MOTOR SUNSCREEN

The Z90 external venetian is a model suitable for outdoor installation for large spans for any type of application and in any context, with a 90 mm Z-shaped slat edged with an anti-noise gasket and rigid lateral sliding guides. It is ideal for mounting in opening or overhang. The slats can be oriented in any position with a 90° movement with a dimming up to 90% with a pleasant aesthetic impact.

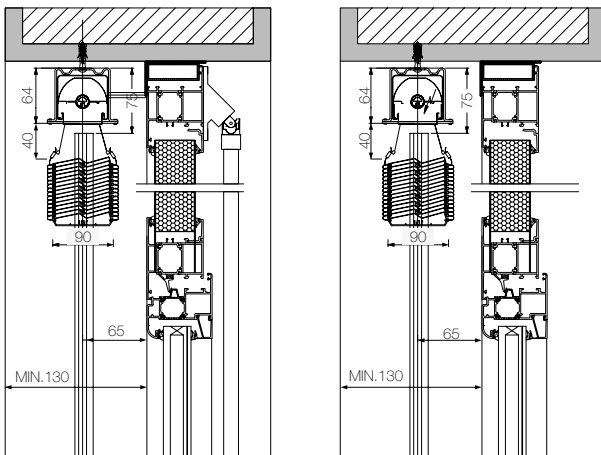
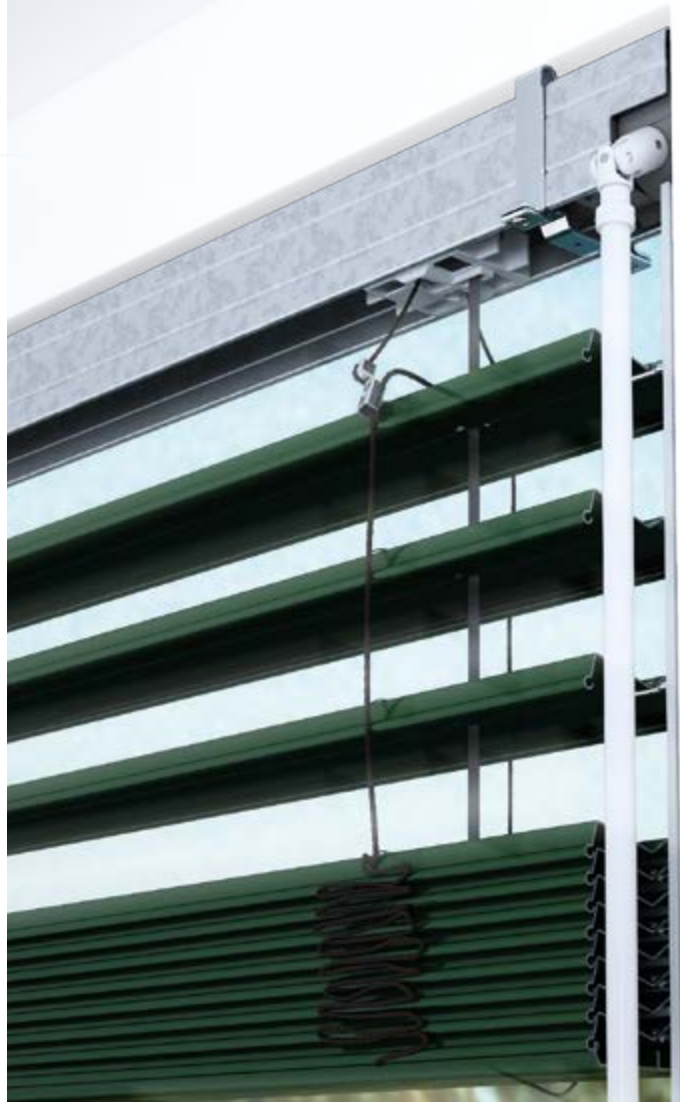
MINIMUM AND MAXIMUM DIMENSIONS Z90 CRANK AND MOTOR

MAXIMUM DIMENSION IN WIDTH: 4000 mm
MINIMUM DIMENSION IN WIDTH: 550 mm
MAXIMUM DIMENSION IN HEIGHT: 4500 mm
MINIMUM DIMENSION IN HEIGHT: 600 mm
MAXIMUM AREA: 8 sqm
MINIMUM RECESS WIDTH FOR RETURNED CRANK: 130 mm

NOTES

For all external venetian models, the terylene is gray in colour.

FOR MEASURES OUTSIDE THE TABLE, CONTACT OUR TECHNICAL DEPARTMENT FOR PRODUCTION AND COSTS.



FINISHES AVAILABLE FOR GUIDES AND SLATS



EXTERNAL VENETIAN Z90 WITH CRANK

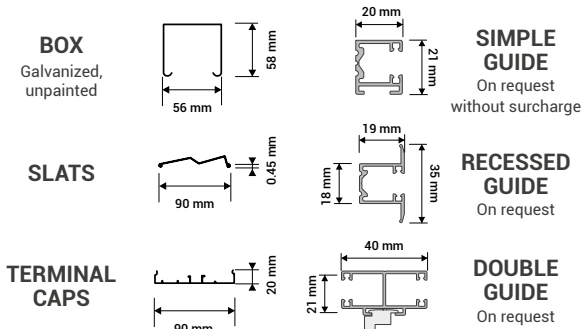
Aluminum crank \varnothing 15 mm with 90° transmission

MOTOR EXTERNAL VENETIAN Z90

Power supply 230V / 50Hz

NOTES: Painted box - price € 50,00 per LM

SIZE DETAILS



MANEUVER RODS (ALUMINUM CRANK \varnothing 15 mm)		
HEIGHT FR mm	SHAFT SUPPLIED mm	
1000	2500	1500
2600	3500	1800
3600	4500	2200

BOX BRACKETS		
FR WIDTH FR mm	N° BRACKETS	
0	1700	2
1800	2600	3
2700	3500	4
3600	4000	5

GUIDE SPACERS		
HEIGHT FR mm	N° SPACERS	
0	1600	2
1601	2300	3
2301	3000	4
3001	3700	5
3701	4500	6