

HERMETIC ZIP 125

STANDARD OUTDOOR

CRANK ROLLER BLINDS

BOX: Box of 125 mm in extruded aluminium composed of a fixed part and a mobile inspectable. Squared box in extruded aluminum, made up of a fixed part and two mobile parts, which can be inspected, one front and the other closing, to allow the roller to be completely rewound inside, including the backdrop. Pairs of self-supporting heads, or for side mounting in painted aluminium matching the box.

ROLLER: Aluminium extruded roll diameter of 60 mm or 78 mm in galvanized steel with ogive, to facilitate the supply of the curtain.

GUIDES: Guides with extruded aluminium closing profile and internal core with PVC fins for a perfect sliding and holding of the guide cloth. The guides of the airtight 125 ensure darkening when required.

BACKGROUND: Profile in weighted extruded aluminium with galvanized iron profile complete with PVC sliding caps and toothbrush.

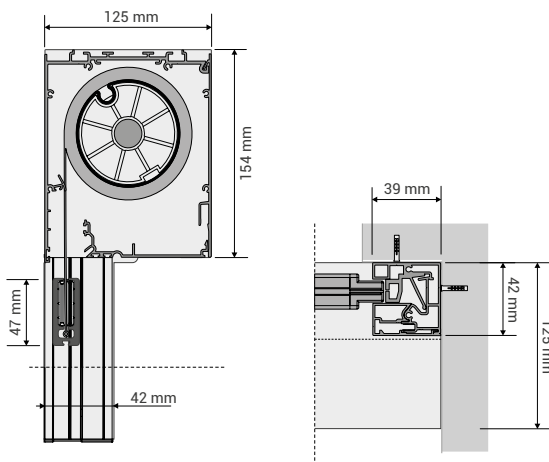
MOVE: Engine complete with mechanical limit switch.

GUIDE FIXING: front or side.

BOX FIXING: Self-supporting in the guide or with heads for lateral attack.



AVAILABLE OPENING



SIDE SECTION

Structure AS STANDARD.

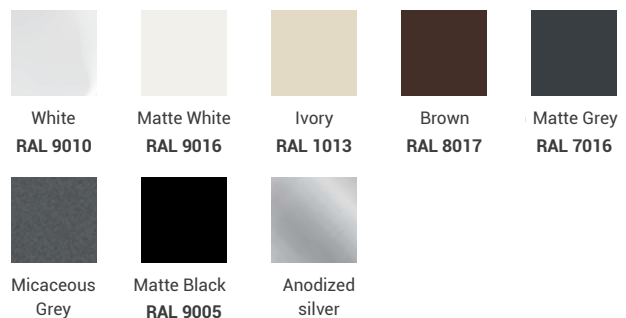
GUIDE SECTION

Guide for front or side installation.

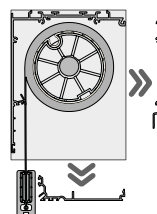
NOTES

- Closing profile for built-in rail with surcharge;
- For further finishes and customizations required on quote;
- Motorized curtain supplied without switch.

AVAILABLE FINISHES

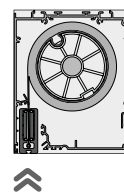


TECHNICAL DETAILS



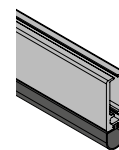
INSPECTABLE BOX

AS STANDARD



RECESSED CLOSURE

Retractable backdrop



RAIN PROFILE

OPTIONAL WITHOUT SURCHARGES.



CLASS 3 EN13561

Wind resistance

OPTIONAL ENGINES AND CONTROLLER PAG. 169 - 171