

HERMETIC ZIP 105

STANDARD OUTDOOR CRANK ROLLER BLINDS

BOX: Box of 105 mm in extruded aluminium composed of a fixed part and a mobile inspectable. Pairs of self-supporting heads, or for side mounting in painted aluminium matching the box.

ROLLER: Aluminium extruded roll diameter of 60 mm or 78 mm in galvanized steel with ogive, to facilitate the supply of the curtain.

GUIDES: Guides with extruded aluminium closing profile and internal core with PVC fins for a perfect sliding and holding of the guide cloth. The guides of the airtight 105 ensure darkening when required.

BACKGROUND: Profile in weighted extruded aluminium with galvanized iron profile complete with PVC sliding caps and toothbrush.

MOVE: Crank move in zama. Speed ratio 1:3 with limit. Tubular rod diameter 13 mm extruded aluminium removable with magnetic connection. Hinged handle with PVC handle, PVC rod stop at extra 90° manoeuvre return.

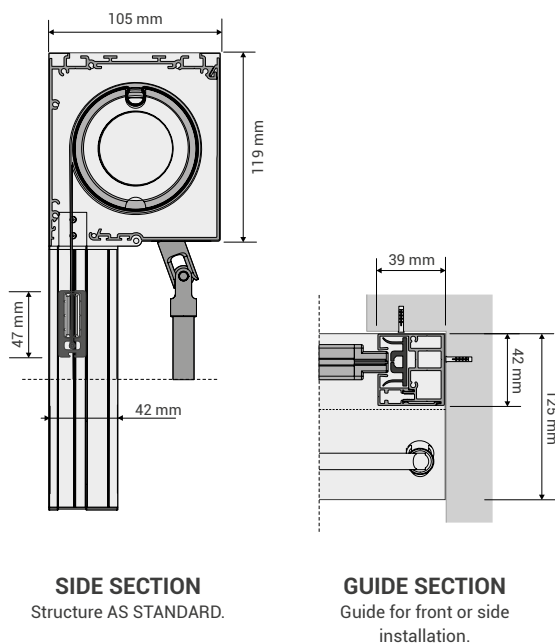
GUIDE FIXING: front or side.

BOX FIXING: Self-supporting in the guide or with heads for lateral attack.

COLOURS ROD OPERATION: White RAL 9010, silver anodized, black RAL 9005 matte.



AVAILABLE OPENING



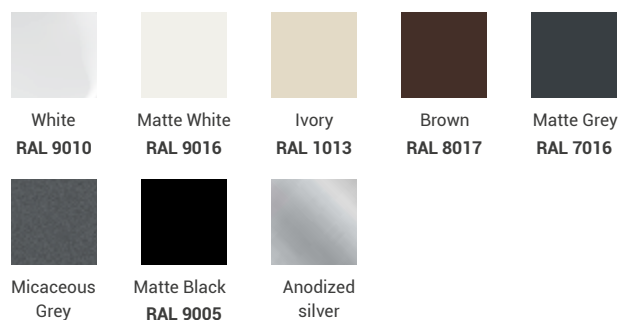
SIDE SECTION

Structure AS STANDARD.

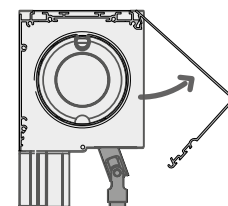
GUIDE SECTION

Guide for front or side installation.

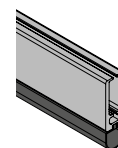
AVAILABLE FINISHES



TECHNICAL DETAILS



INSPECTABLE BOX
AS STANDARD



RAIN PROFILE
OPTIONAL WITHOUT SURCHARGES



CLASS 3 EN13561
Wind resistance

NOTES

- Closing profile for built-in rail with surcharge;
- For further finishes and customizations required on quote;
- Motorized curtain supplied without switch.